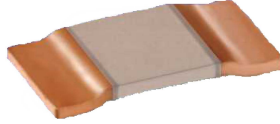


Chip Shunt Resistor

■ Features

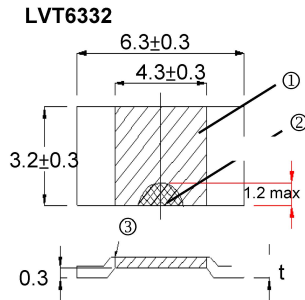
- LVT6332 3W up to 70A at 0.5mΩ
- LVT6332 3W up to 40A at 2mΩ
- Maximum soldering temperatures of up to 350°C / 30 sec.
- Heavy copper connectors
- Excellent long-term stability and low inductance
- Mounting using re-flow soldering or welding on copper



■ Applications

- Current sensors for hybrid power sources
- Frequency converters
- High current automotive

■ Construction



①	Resistance Material	②	Trimming Area	③	Electron Beam Welding
---	---------------------	---	---------------	---	-----------------------

■ Dimensions

Unit: mm

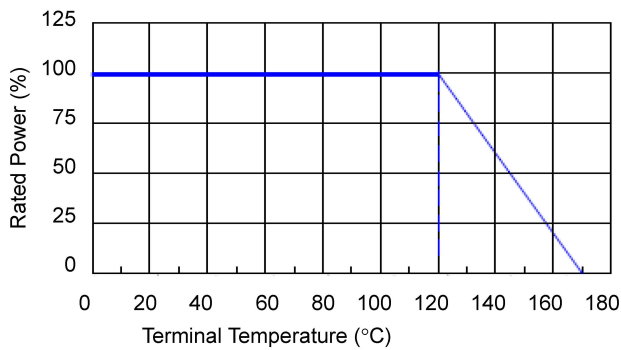
Type	Size	Value	Material	Thickness (t)	Weight (g) (1000pcs)
LVT6332	6332	0.5mΩ	Manganin	0.88 mm±0.1	420
LVT6332	6332	1mΩ	Manganin	0.43 mm±0.1	220
LVT6332	6332	2mΩ	NiCr alloy	0.64 mm±0.1	310
LVT6332	6332	3mΩ	NiCr alloy	0.43 mm±0.1	210
LVT6332	6332	4mΩ	NiCr alloy	0.32 mm±0.1	160
LVT6332	6332	0.2mΩ	Manganin	1.50 mm±0.1	590
LVT6332	6332	0.5mΩ	Manganin	0.56 mm±0.1	590
LVT6332	6332	1mΩ	NiCr alloy	0.90 mm±0.1	940
LVT6332	6332	2mΩ	NiCr alloy	0.45 mm±0.1	470
LVT6332	6332	3mΩ	NiCr alloy	0.30 mm±0.1	320

Chip Shunt Resistor

Part Numbering

LVT	6332	F	T	D	D	0M50	M
Product Type	Dimensions	Resistance Tolerance	Packaging Code	TCR (PPM/°C)	Power Rating	Resistance	Marking Code
	6332: 10.5x5.0	F: ±1% G: ±2% J: ±5%	T: Taping Reel B: Bulk	D: ±50 1: ±60 W: ±75 E: ±100 2: ±120	B: 2.5W R: 3W C: 3.5W H: 4W D: 5W I: 6W E: 7W	0M50: 0.5mΩ R001: 1mΩ R002: 2mΩ R003: 3mΩ R004: 4mΩ	M: Manganin N: NiCr alloy

Derating Curve



Standard Electrical Specifications

Type	Power Rating	Operating Temp. Range	Resistance Range			TCR (PPM/°C) (+20°C ~ +60°C)
			±1%	±2%	±5%	
LVT6332	3W	-55°C ~ +170°C	0.5mΩ			±75
LVT6332	3W		1mΩ			±50
LVT6332	3W		2mΩ			±100
LVT6332	3W		3mΩ			±100
LVT6332	3W		4mΩ			±100
LVT6332	3W		0.7mΩ			±100
LVT6332	3W		5mΩ			±100
LVT6332	3W		1.5mΩ			±100
LVT6332	3W		2.5mΩ			±100
LVT6332	3W		4mΩ			±100

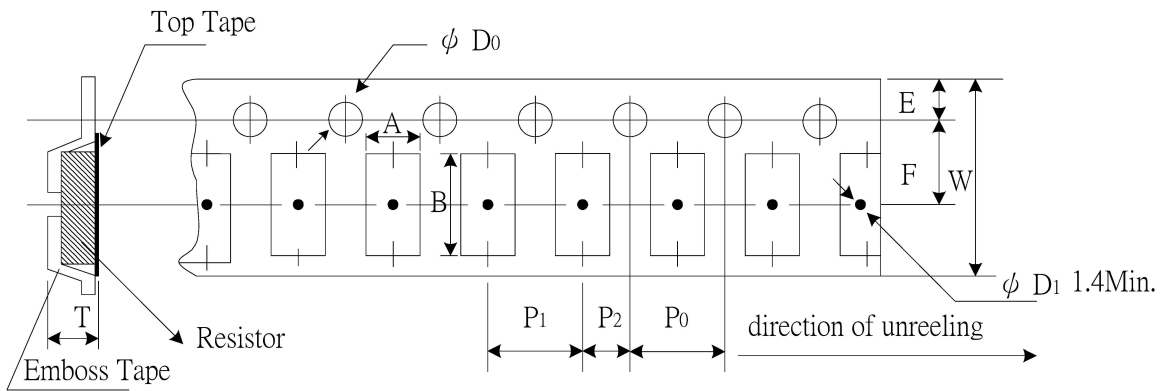
Environmental Characteristics

Item	Requirement	Test Method
Short time overload	±0.2%	Rated Power × 5 for 5 seconds
Load Life	±1.0%	90 min. "ON", 30 min. "OFF" for 2000 hours
Resistance to Soldering Heat	±0.5%	260°C for 10 min.
Thermal Shock	±0.1%	-65°C, 25°C, 125°C, 25°C, 25 cycles
Moisture Resistance	±0.2%	90 ~ 98%RH, +25°C, +65°C, -10°C, 10 cycles
High Temperature Exposure	±0.5%	140°C for 250 hours

Storage Temperature: 15~28°C; Humidity < 80%RH

Packaging

Emboss Plastic Tape Specifications



Unit: mm

Type	A	B	W	E	F	P ₀	P ₁	P ₂	ØD ₀	T	Quantity (EA)
LVT6332	5.7	11.2	16	1.75	7.5	4	12	6	1.50	1.2	3000
LVT6332	8.2	16.1	24	1.75	11.5	4	12	6	1.50	1.9	2000