



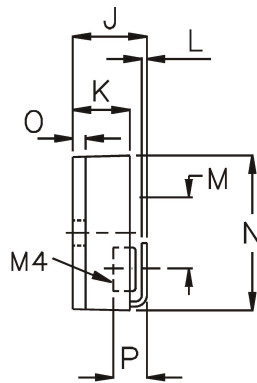
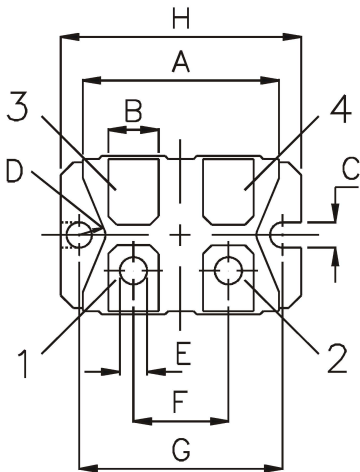
■ Features

- Thick film & Non-inductive design, ROHS compliant
- High frequency and pulse load
- 2-terminal or 4-terminal version
- Extremely low TCR down to 50PPM with high power
- High power rating up to 200 Watts at 85 °C

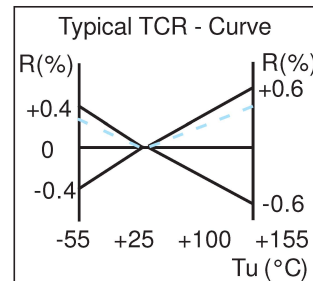
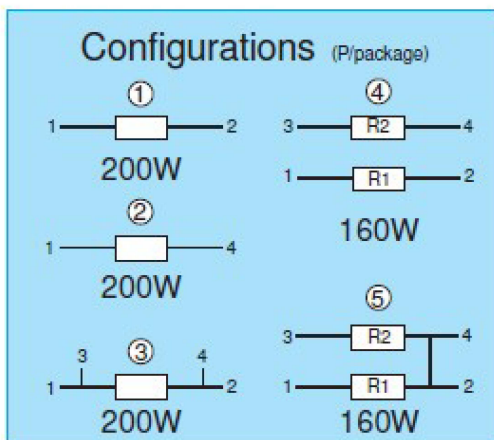
■ Applications

- Variable speed drives
- Power supplies
- Control devices, robotics, motor control and other switching designs

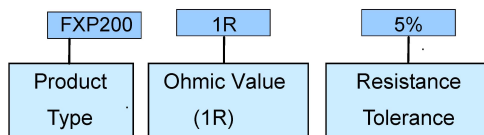
■ Construction



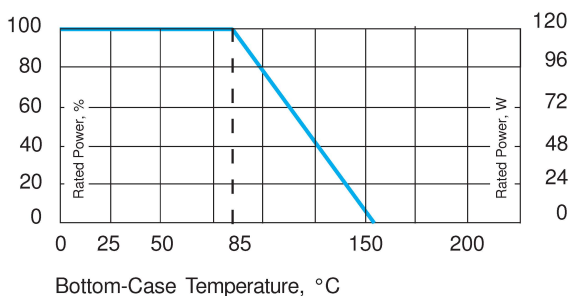
Dim.	Millimeters		Inches	
	Min.	Max.	Min.	Max.
A	31.0	31.7	1.220	1.249
B	7.8	8.2	0.307	0.323
C	4.1	4.3	0.162	0.169
D	4.0	--	0.158	--
E	4.1	4.3	0.162	0.169
F	14.9	15.1	0.587	0.595
G	30.1	30.3	1.186	1.193
H	38.0	38.2	1.497	1.505
J	11.8	12.2	0.465	0.481
K	8.9	9.1	0.351	0.359
L	0.75	0.85	0.030	0.033
M	12.6	12.8	0.496	0.504
N	24.4	25.4	0.960	1.001
O	1.95	2.05	0.077	0.081
P	5.3	--	0.209	--



■ Part Numbering



■ Derating Curve



■ Best results can be reached by using athermal transfer compound with a heat conductivity of better than 1W/mK

■ Derating (thermal resistance): 2.86W/°K (0.35°K/W).

■ Technical and standard electrical specifications

Resistance ranges: 0.1Ω ~ 1MΩ
Resistance Tolerance: ±1% ~ ±10%
Temperature Coefficient: ±50PPM/°C (25°C ~ 105°C) On special request
Power Rating: 200W at 85°C Bottom case temperature
Maximum Working Voltage: 500VDC (up to 1,000V on special request)
Partial Discharge: up to 2000Vrms/80pC
Voltage Proof: Dielectric Strength up to 4,000V DC against ground
Protection class: acc. to IEC 950/CSA22.2 950/M-89 and EN 60950.88: 2
Heat Resistance to Cooling Plate: R_{th} < 0.35 K/W
Capacitance/Mass: 45pF
Working Temperature Range: -55°C ~ 155°C
Max. Torque for Base Plate (static): 1.5Nm, M4 screws
Max. Torque for Contacts (static): 1.3 Nm, M4 screws

■ Reference Standards: IEC60115-1:2001(GB/T5729-2003)

MIL-STD-202/MIL-R-39009D

■ Storage Temperature: 25±3°C; Humidity < 80%RH